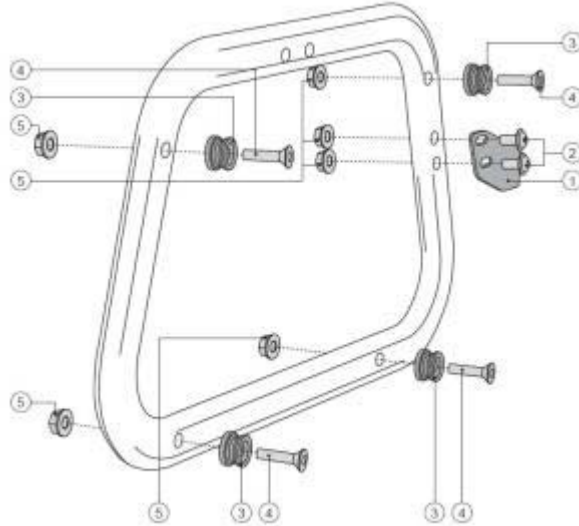


## CASE ADAPTOR KITS FOR USE WITH QUICKLOCK SIDE RACKS

### Trax Aluminum pannier adaptor kit



This kit allows the Trax Aluminum Pannier to be easily attached and removed from the Quicklock side racks in under 1 minute. Panniers cannot be removed without unlocking the keyed lockset. Supplied standard with a TRAX pannier kit

Part no: KFT .00.152.200

### Trax Aluminum pannier





### **Hepco & Becker plastic pannier adaptor kit**

This kit allows for the attachment of Hepco & Becker Plastic panniers to the Quicklock side racks .Sold in pairs. Part no: KFT.00.152.110

---



### **Hepco & Becker Alu pannier adaptor kit**

This kit allows for the attachment of Hepco & Becker Alu panniers to the Quicklock side racks .Sold in pairs. Part no: KFT.00.152.111

---



### **Givi Monokey/Kappa pannier adaptor kit**

Adapter kit required for attaching GIVI Monokey/Kappa side cases to Quicklock side racks. Includes all hardware required to mount one pair of side cases to your side racks.

Includes Givi fitting lugs and rubber vibration-reducing bumpers. Installs quickly using basic hand tools. No cutting or welding of existing motorcycle components required.

Part no: KFT.00.152.105

---