

Cargobag

Lightweight soft-luggage system with uncompromising stability. Fits most touring bikes, sport bikes, and scooters. Uses a one-part system with main and sidebags. Total volume c. 52 lit.



Includes:

- 4 mounting straps
- rain cover
- 2 support straps for licence plate installation
- scratch resistant film

rain cover



integrated handle



with Tentbag



compatible with scooters

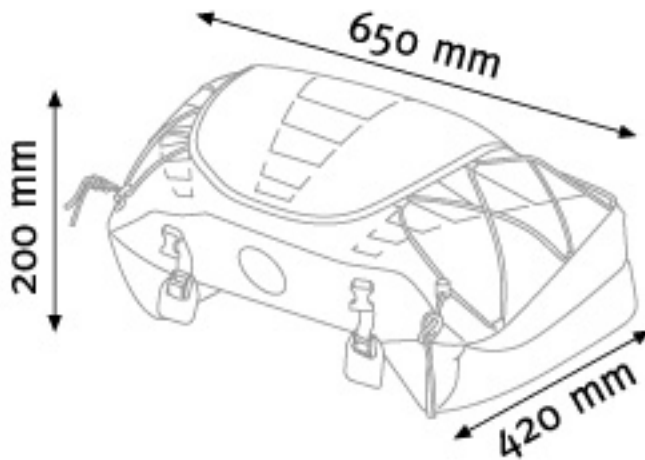


Article	Notes	Part number	
Cargobag		BCK.CB5041	109.00

CargoBag features:

- **Lightweight one part system requiring no hard luggage rack**
- **Integrated carrying handle**
- **Racetrack tested**
- **Hand-made from an industry leading 1200 denier high-tenacity ballistic nylon yarn which surpasses leather, Cordura and nylon in strength.**
- **All internal material is lined with a water-resistant PE polymer**
- **The semi-circle design reduces drag and enables the system to remain within the air stream of the bike.**
- **Reflective webbing adds conspicuity at night.**
- **Heavy-duty zippers offer oversized pulls for easier manipulation with gloves**
- **52 liters of storage volume**
- **Solid hold, due to four point fitting.**
- **Add-on Bags-Connection tentbag (sold separately) offers storage for a tent roll of up to 57cm long x 20cm diameter**

Standard accessories: 4 fitting straps, 2 support straps for license plate mounting points, raincover, paint protection film.



Bags-Connection has tested its products on most current-model motorcycles. Based on these fitting tests, Bags-Connection recommends the Speedpack Wide for use with the unmodified stock bikes listed below (product may also fit additional motorcycle models):

Aprilia

*RSV1000R Mille, -2003
RSV1000R Mille & RSV1000R Factory, 2004-
SL1000 Falco
Tuono 1000R*

Buell

*Firebolt XB9R
Firebolt XB12R*

BMW

*K1200S
R1200RT
R850R
R1150R
K1200RS
R1100S
K1200GT
F650CS
F650GS & F650GS/Dakar
R1150GS Adventure
R1150GS
R1200GS
R1150RS*

Ducati

*749 / 999
SS1000DS Supersport
1000DS Multistrada
ST3
ST4
Monster 620 / 1000
916 / 996*

Harley-Davidson

*XL 883 Sportster 2004
XL 883C Sportster Customer 2004
FXD Dyna Super Glide 2004
FXDX Dyna Super Glide Sport 2004
FXDL Dyna Low Rider 2004
FXDWG Dyna Wide Glide 2004
Softail Standard FXST/FXSTI 2004
V-Rod 2004*

Honda

*CBF500 / CBF600
CB1300*

599 / CB600 Hornet
919 / CB900 Hornet
CBR1000RR
VTR1000 SP1 / SP2
VTR1000F Superhawk
CBR600RR
CBR600F / CBR600F4i
CBR1100XX Blackbird
VFR750, -'97
VFR800 Interceptor, '98-'01
VFR800 VTEC Interceptor, '02-
ST1300 Pan-European
NT650 Deauville
Varadero XL125V
Varadero XL 100V
Transalp XL650V

Kawasaki

ZX6R (636cc)
ZX6RR (599cc)
ZX10R
ZX12R
Z750S
Z1000
ZRX1200
ZZR600
ZZR1200
KLX1000 V-Strom
KLE500
KLR650
VN800 Vulcan Classic
VN1600 Vulcan Classic
VN1600 Vulcan Mean Streak
VN2000 Vulcan
W650

KTM

950/ 990

Moto Guzzi

California EV
V11
V750 Breda
Nevada 750 Classic IE

Suzuki

Boulevard M50 / VZ800 Marauder
Boulevard M95 / VZ1600 Marauder
Boulevard S50 / VS800 Intruder
Boulevard S83 / VS1400 Intruder

Boulevard S90 / VS1500 Intruder
Boulevard C50 / VL800 LC Intruder Volusia
Boulevard C90 / VL1500 LC Intruder Volusia
GSXR600
GSXR750
GSXR1000, -'04
GSXR1000, '05-
GSX1300R Hayabusa
SV650, '03-
SV1000, '03-
GSX600F Katana
GSX750F Katana
GSF600 & GSF600S Bandit, -'04
GSF650 & GSF650S Bandit, '05-
GSF1200 & GSF1200S Bandit
GSX1400
GS500E
GS500F
DRZ400S & DRZ400SM

Triumph

Rocket III
Speedmaster
America
Sprint ST 1050
Daytona 650
Daytona 955i
Tiger 955i
Speed Triple, 2004-
Speed Triple, -2003
Speed Four
Thruxton 900
Bonneville T100
Bonneville

Yamaha

YZF-R1
YZF-R6
FJR1300
FZ1 (FZS1000 Fazer)
FZ6
TDM900
XJR1300
BT1100 Bulldog
XT660X
XVS650 V-Star / V-Star Classic
XVS1100 V-Star / V-Star Classic
XVZ1600 / XVZ1700 Road Star
XT660R