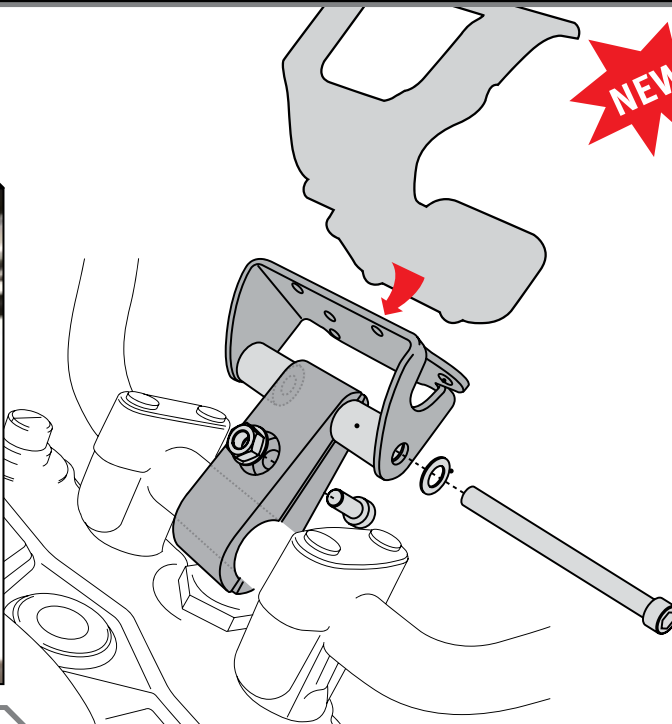


Universal Handlebar Clamp

The Universal Handlebar Clamp can be used to mount GPS-Systems or GPS/PDA Bags on all standard tube handlebars (see attached schedule for diameters). The angle is adjustable to provide optimal viewing of the screen.



Mounted universal handlebar clamp



The drillings in the upper part provide the possibility that the TomTom Pilot can be mounted directly on the bracket.

Also the BAGS-CONNECTION GPS/PDA Bags can be mounted directly on the bracket.

Handlebar clamp with GPS Unit (with TomTom Rider)



Handlebar clamp with GPS/PDA Bag, small



GPS Cradle for Garmin Street Pilot (2600 series)

For the Gramin System a special RAM adapter is required.



PDA/GPS Bag small



PDA/GPS Bag big



Handlebar clamp

The clamp is produced by CNC-Milling and made out of high-hardness aluminum.



GPS handlebar clamp	Notes	Part Number
handlebar clamp 22 mm - 7/8 inch, black	The upper braket of the handlebar clamp can be used directly with the TomTom Rider or with the following equipment listed below.	GPS.00.308.100/B
handlebar clamp 26 mm - 1 inch, silver		GPS.00.308.101
handlebar clamp 28 mm - 1.125 inch, silver		GPS.00.308.102
handlebar clamp 32 mm - 1.25 inch, silver		GPS.00.308.103
Equipment	Notes	Part Number
GPS Cradle for Garmin Street Pilot (2600 series)	Plastic cradle for Garmin Street Pilot 2610, 2620, 2650, 2660, 2670, 2720, 2730, 2820.	RAM.HOL.GA9.U
PDA/GPS Bag big	For mounting on the upper braket of the handlebar clamp, 145x100x76 mm	BCK.GPS.00.010.110
PDA/GPS Bag small	For mounting on the upper braket of the handlebar clamp, 140x90x30 mm	BCK.GPS.00.010.111