

self-supporting
construction

Smaller version of the "Speedpack". Uncompromising when it comes to grip and driving stability. Total capacity of 60 lit., reduces to 42 lit. with compression straps. Accessible through upper and side openings. Accessory pocket on the side of the bag.



Includes:

- One piece luggage system with waterproof inner bag
- 4 mounting straps
- 2 compression belts
- 2 support straps for licence plate installation
- shoulder strap
- scratch resistant film

accessory pocket



side access into mainbag



Racepack (compressed, c. 42 lit.)
tested on racetrack

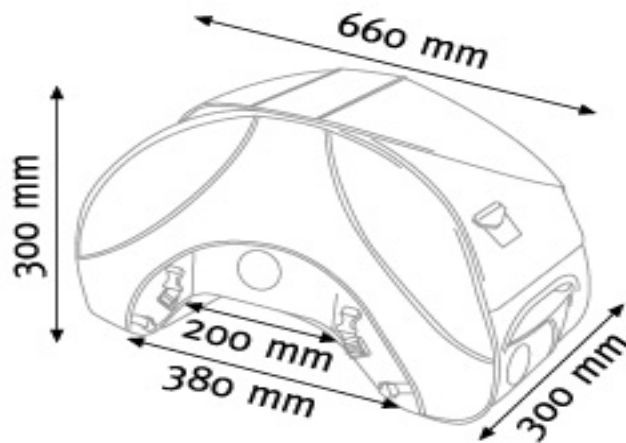
Article	Notes	Part number
Racepack		BCK.RP4011

Racepack features:

- *A smaller version of the Speedpack with 42 to 60 liters of storage volume*
- *Fits bikes with a tail-section width of up to approximately 20 centimeters and is suited for most bikes with a flat passenger seat and narrow tail section.*
- *Integrated aluminum self supporting construction maintains the shape and requires no hard luggage rack*
- *Racetrack tested*
- *Hand-made from an industry leading 1200 denier high-tenacity ballistic nylon yarn which surpasses leather, Cordura and nylon in strength.*
- *Waterproof, seam sealed separate inlays.*
- *All internal material is also lined with a water-resistant PE polymer*
- *Accessible through top and side openings. Small pocket on the side of the bag.*
- *Shoulder straps for off bike use.*
- *Reflective webbing adds conspicuity at night.*
- *Heavy-duty zippers offer oversized pulls for easier manipulation with gloves*
- *Solid hold, due to four point fitting.*
- *Add-on Bags-Connection tentbag (sold separately) offers storage for a tent roll of up to 57cm long x 20cm diameter*
- *Purposely designed to reduce drag .The semi-circle design enables the system to remain within the air stream of the bike. Adjustable volume via compression straps further minimizes drag as the luggage is never larger than it needs to be.*



Standard accessories: one piece luggage system, 4 fitting straps, 2 compression belts, carrying strap, 2 support straps for license plate mounting points, paint protection film.



Fits bikes with a tail-section width of up to approximately 20 centimeters and is suited for most bikes with a flat passenger seat and narrow tail section. Bikes that are compatible with the Speedpack-Wide are NOT compatible with the Racepack

Bags-Connection has tested its products on most current-model motorcycles. Based on these fitting tests, Bags-Connection recommends the Racepack for use with the unmodified stock bikes listed below (product may also fit additional motorcycle models):

Buell

*Firebolt XB9R
Firebolt XB12R
Lightning XB12S*

BMW

*K1200S
K1200RS
R1100S
F650CS Scarver
R1150GS
R1150RS*

Ducati

*SS1000DS Supersport
ST3
ST4
Monster 620 / 1000
Monster S2R / S4R*

Harley-Davidson

XL 883 Sportster 2004
XL 883C Sportster Customer 2004
FXD Dyna Super Glide 2004
FXDX Dyna Super Glide Sport 2004
FXDL Dyna Low Rider 2004
FXDWG Dyna Wide Glide 2004
Softail Standard FXST/FXSTI 2004
V-Rod 2004

Honda

CB1300
599 / CB600 Hornet
919 / CB900 Hornet
VFR750, -'97
VFR800 (1998-2001, with passenger grab bar removed)
VTR1000 SP1 / SP2
VTR1000F Superhawk
CBR600RR
CBR600F / CBR600F4i
CBR1100XX

Kawasaki

ZX12R
Z750 (proper fit requires removal of rear grab bars)
Z750S (proper fit requires removal of rear grab bars)
Z1000
ZRX1200
KLE500
VN800 Vulcan Classic
VN1600 Vulcan Classic
VN1600 Vulcan Mean Streak
VN2000 Vulcan
W650

KTM

LC4 Adventure 640
LC4 Enduro
LC8 Adventure 950 & 950/S
LC8 Adventure 990 & 990/S

Moto Guzzi

VII
V750 Breda
Nevada 750 Classic IE

Suzuki

Boulevard M50 / VZ800 Marauder
Boulevard M95 / VZ1600 Marauder
Boulevard S50 / VS800 Intruder
Boulevard S83 / VS1400 Intruder
Boulevard S90 / VS1500 Intruder

Boulevard C50 / VL800 LC Intruder Volusia
Boulevard C90 / VL1500 LC Intruder Volusia
GSXR600
GSXR750
GSXR1000, -'04
GSX1300R Hayabusa
SV650, '03-
SV1000, '03-
GSX600F Katana
GSX750F Katana
GSF600 & GSF600S Bandit, -'04
GSF650 & GSF650S Bandit, '05-
GSF1200 & GSF1200S Bandit
GSX1400
GS500E
GS500F
DRZ400S & DRZ400SM

Triumph

America
Bonneville T100
Bonneville
Rocket III
Speed Triple, -'03
Speed Triple, '04-
Speedmaster
Sprint RS & ST 955i, '99-'04
Sprint ST 1050, '05-
Tiger 955i
Thruxton 900

Yamaha

BT1100 Bulldog
YZF-R6
TDM900
XJR1300
XVS650 V-Star & V-Star Classic
XVS1100 V-Star & V-Star Classic
XVZ1600 & XVZ1700 Road Star

The item does NOT fit the following bikes:

- Kawasaki ZX14 Ninja (a.k.a. ZZR1400)*
- most bikes that are compatible with the Speedpack-Wide are NOT compatible with the Racepack*