

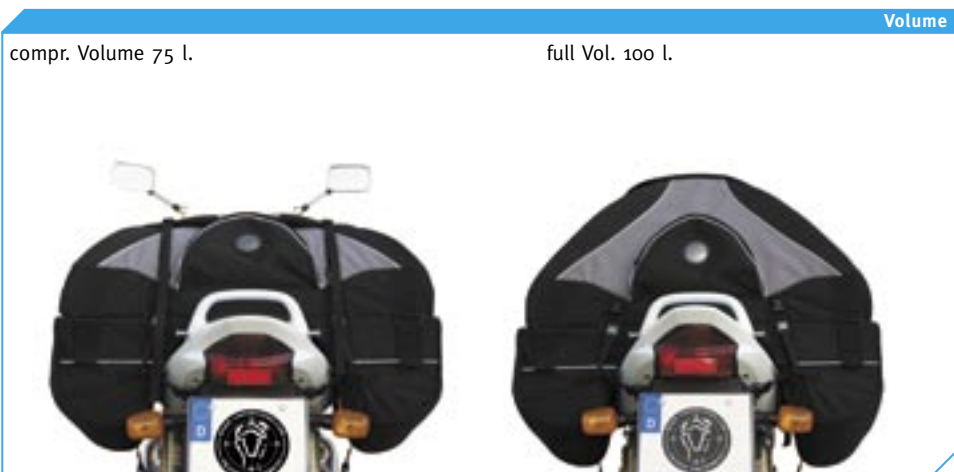
self-supporting construction

This universal luggage-system provides volume for the sport tourer. The self-supporting construction does not need any luggage rack. Waterproof outside material and separate Inlays. Solid hold because of 4 point attachment. Includes smaller accessory pockets.



**Includes:**

- Three-part luggage- and inlay Set
- 4 mounting straps
- 2 compression belts
- shoulder strap
- 2 support straps for licence plate installation
- scratch resistant film



Speedpack tested on racetrack



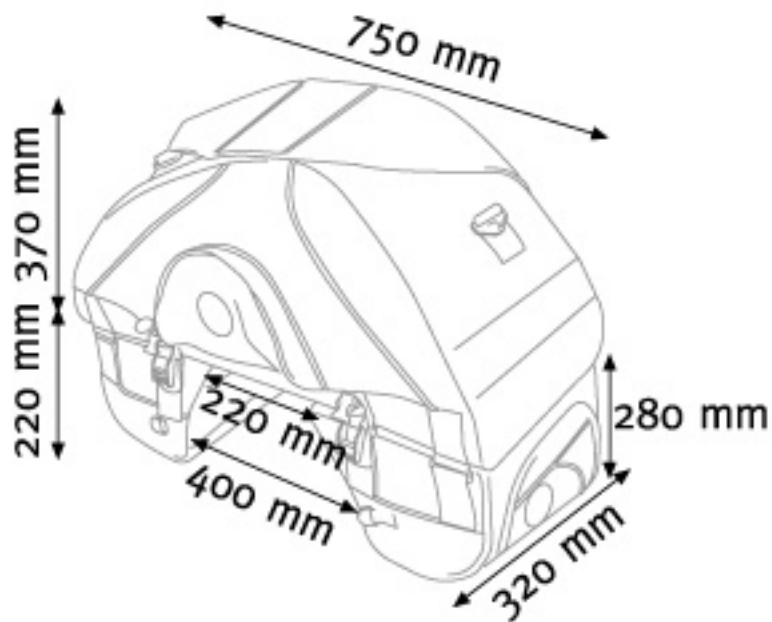
Article	Notes	Part number
Speedpack		BCK.SP4001



*Speedpack features:*

- *Purposely designed to reduce drag .The semi-circle design with bottom sidebags enables the system to remain within the air stream of the bike. Adjustable volume via compression straps further minimizes drag as the luggage is never larger than it needs to be.*
- *Fits bikes with a tail-section width of up to approximately 22 centimeters and is suited for most bikes with a flat passenger seat and narrow tail section.*
- *Integrated aluminum self supporting construction maintains the shape and requires no hard luggage rack*
- *Racetrack tested*
- *Hand-made from an industry leading 1200 denier high-tenacity ballistic nylon yarn which surpasses leather, Cordura and nylon in strength.*
- *Waterproof ,seam sealed separate inlays.*
- *All internal material is also lined with a water-resistant PE polymer*
- *Separate access to main and side compartments.*
- *Shoulder straps for off bike use.*
- *Reflective webbing adds conspicuity at night.*
- *Heavy-duty zippers offer oversized pulls for easier manipulation with gloves*
- *75 to 100 liters of storage volume*
- *Two small, detachable outer bags.*
- *Solid hold, due to four point fitting.*
- *Add-on Bags-Connection tentbag (sold separately) offers storage for a tent roll of up to 57cm long x 20cm diameter*

*Standard accessories: three-part luggage set, 4 fitting straps, 2 compression belts, carrying strap, 2 support straps for license plate mounting points, paint protection film.*



*Fits bikes with a tail-section width of up to approximately 22 centimeters and is suited for most bikes with a flat passenger seat and narrow tail section.*

*Bags-Connection has tested its products on most current-model motorcycles. Based on these fitting tests, Bags-Connection recommends the Speedpack for use with the unmodified stock bikes listed below (product may also fit additional motorcycle models):*

**Aprilia**

*RSV1000R Mille, -2003*

**BMW**

*K1200S*

*R1200ST*

*K1200RS*

*R1100S*

*F650CS*

*R1150RT*

*R1150GS*

*R1150RS*

### **Buell**

**Firebolt XB9R**  
**Firebolt XB12R**

### **Ducati**

**SS1000DS Supersport**  
**Monster 620/1000**

### **Harley**

**Softail Standard FXST/FXSTI 2004**

### **Honda**

**CBR600RR**  
**CBR600F**  
**CBR600F4i**  
**VFR750, -'97**  
**VFR800 (1998-2001, with passenger grab bar removed)**  
**VTR1000F**  
**CBR1100XX Blackbird**  
**CB1300**  
**VT750 Shadow Spirit, Shadow Aero, and Black Widow**  
**VTX1300**  
**VTX1800**

### **Kawasaki**

**KLE500**  
**VN800 Vulcan Classic**  
**VN1600 Vulcan Classic**  
**VN1600 Vulcan Mean Streak**  
**VN2000 Vulcan**  
**W650**  
**ZX12R**  
**Z1000**  
**Z750 (proper fit requires removal of rear grab bars)**  
**Z750S (proper fit requires removal of rear grab bars)**  
**ZRX1200**

### **KTM**

**LC4 Adventure 640**  
**LC4 Enduro**  
**LC8 Adventure 950 & 950/S**  
**LC8 Adventure 990 & 990/S**

### **Moto Guzzi**

**V11**  
**V750 Brevia**

### **Suzuki**

**Boulevard M50 / VZ800 Marauder**

*Boulevard M95 / VZ1600 Marauder*  
*Boulevard S50 / VS800 Intruder*  
*Boulevard S83 / VS1400 Intruder*  
*Boulevard S90 / VS1500 Intruder*

*Boulevard C50 / VL800 LC Intruder Volusia*  
*Boulevard C90 / VL1500 LC Intruder Volusia*  
*DR650SE, '96-*  
*GS500E / GS500F*  
*GSXR600*  
*GSXR750*  
*GSXR1000, -2004*  
*GSX1300R Hayabusa*  
*SV650, -2002*  
*SV650, 2003-*  
*SV1000, 2003-*  
*GSX600F Katana*  
*GSX750F Katana*  
*GSF600 / GSF600S Bandit*  
*GSF650 / GSF650S Bandit*  
*GSF1200 / GSF1200S Bandit*  
*GSX1400*

### *Triumph*

*America*  
*Bonneville*  
*Bonneville T100*  
*Rocket III*  
*Speedmaster*  
*Speed Four*  
*Speed Triple, -2003*  
*Sprint ST 1050*  
*Thruxton 900*

### *Yamaha*

*BT1100 Bulldog*  
*YZF-R6*  
*TDM900*  
*XJR1300*  
*XVS650 V-Star & V-Star Classic*  
*XVS1100 V-Star & V-Star Classic*  
*XVZ1600 / XVZ1700 Road Star*

*The item does NOT fit the following bikes:*  
*Kawasaki ZX14 Ninja (a.k.a. ZZR1400)*